

MERAMEC® CURRENT TRANSFORMERS

NEW FROM MERAMEC - LV CTs FOR SWITCHGEAR APPLICATIONS

MODEL CTS-650D

FEATURES AND BENEFITS

- **Every CT** is fully tested and compliant to IEEE 57.13 - certified test reports provided upon request
- Meramec's industry leading **99.98% quality rating**
- We offer **ON-TIME** and **WHEN-NEEDED** delivery performance to drive down inventory needs
- **Relaying** and **metering** capabilities
- **Custom-engineered** units available
- IEC versions available
- Typical excitation curves available upon request



Scan the QR code or visit meramecusa.com for more information

CTS-650D General Technical Data	
APPLICATION	Relaying and Metering
INNER DIAMETER	6.50" [165 mm]
PERIMETER DIMENSIONS	9.88" [251 mm] SQ
DEPTH	6.75 [171 mm]
PRIMARY CURRENTS	50-4000 amps
SECONDARY CURRENT	5 amps
RATED FREQUENCY	60Hz
RELAYING CLASS*	C10 up to C400
METERING ACCURACY*	0.3 thru 4.8
BASIC INSULATION LEVEL	0.6 kV, 10 kV BIL full wave
MECHANICAL RATING	180 x Rated Current
THERMAL RATING	80 x Rated Current
APPROXIMATE WEIGHT	58 lbs/26.4 kg

OTHER OPTIONS AVAILABLE UPON REQUEST

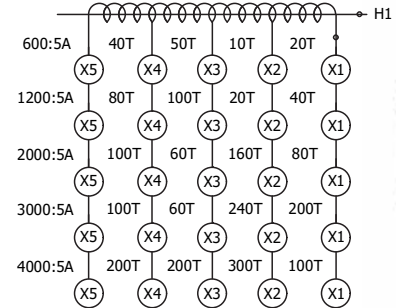
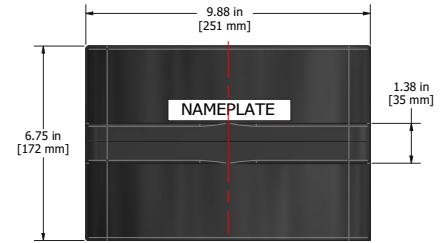
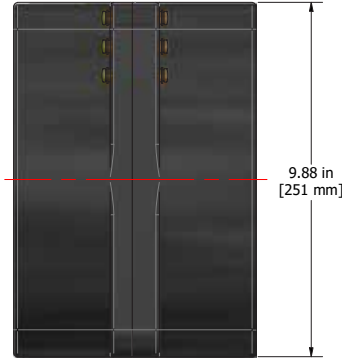
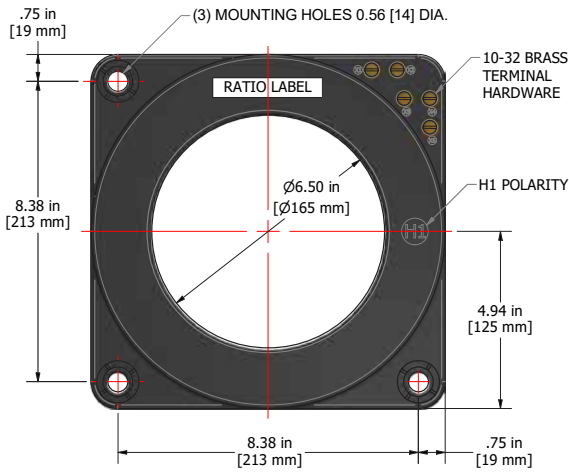
*CUSTOMIZABLE



hubbellpowersystems.com

For product inquiries, please contact your local sales representative, customer service or email us at InstrumentTransformers@Hubbell.com

©2019 Hubbell Incorporated.
Because Hubbell has a policy of continuous product improvement, we reserve the right to change design and specifications without notice.
Printed in the U.S.A. | SF_02_041E



CATALOGUE NUMBER	RATIO	RELAY CLASS	IEEE METERING CLASS					RATING FACTOR	
			0.1	0.2	0.5	0.9	1.8	30C Ambient	55C Ambient
SINGLE-RATIO									
CTS-650DSR-500	50:5	C10	2.4	4.8	-	-	-	2.0	1.5
CTS-650DSR-750	75:5	C20	1.2	1.2	4.8	-	-	2.0	1.5
CTS-650DSR-101	100:5	C20	0.6	1.2	2.4	-	-	2.0	1.5
CTS-650DSR-151	150:5	C50	0.6	0.6	1.2	2.4	-	2.0	1.5
CTS-650DSR-201	200:5	C50	0.3	0.3	0.6	1.2	2.4	2.0	1.5
CTS-650DSR-251	250:5	C50	0.3	0.3	0.6	1.2	2.4	2.0	1.5
CTS-650DSR-301	300:5	C100	0.3	0.3	0.3	0.6	1.2	2.0	1.5
CTS-650DSR-401	400:5	C100	0.3	0.3	0.3	0.6	1.2	2.0	1.5
CTS-650DSR-501	500:5	C100	0.3	0.3	0.3	0.3	0.6	2.0	1.5
CTS-650DSR-601	600:5	C200	0.3	0.3	0.3	0.3	0.6	2.0	1.5
CTS-650DSR-751	750:5	C200	0.3	0.3	0.3	0.3	0.3	2.0	1.5
CTS-650DSR-801	800:5	C200	0.3	0.3	0.3	0.3	0.3	2.0	1.5
CTS-650DSR-102	1000:5	C200	0.3	0.3	0.3	0.3	0.3	2.0	1.5
CTS-650DSR-122	1200:5	C400	0.3	0.3	0.3	0.3	0.3	2.0	1.5
CTS-650DSR-152	1500:5	C400	0.3	0.3	0.3	0.3	0.3	1.5	1.33
CTS-650DSR-162	1600:5	C400	0.3	0.3	0.3	0.3	0.3	1.5	1.33
CTS-650DSR-202	2000:5	C400	0.3	0.3	0.3	0.3	0.3	2.0	1.5
CTS-650DSR-252	2500:5	C400	0.3	0.3	0.3	0.3	0.3	1.5	1.33
CTS-650DSR-302	3000:5	C400	0.3	0.3	0.3	0.3	0.3	1.33	1.00
CTS-650DSR-402	4000:5	C400	0.3	0.3	0.3	0.3	0.3	1.33	1.00
MULTI-RATIO									
CTS-650DMR-601	600:5	C200	0.3	0.3	0.3	0.3	0.6	2.0	1.5
CTS-650DMR-122	1200:5	C400	0.3	0.3	0.3	0.3	0.3	2.0	1.5
CTS-650DMR-202	2000:5	C400	0.3	0.3	0.3	0.3	0.3	2.0	1.5
CTS-650DMR-302	3000:5	C400	0.3	0.3	0.3	0.3	0.3	1.33	1.00
CTS-650DMR-402	4000:5	C400	0.3	0.3	0.3	0.3	0.3	1.33	1.00

